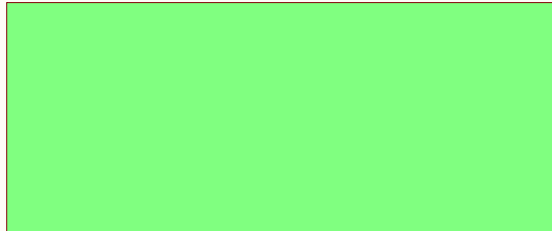


48V BMS WITH TELEMETRY FEATURES

DATE: JULY 26, 2024

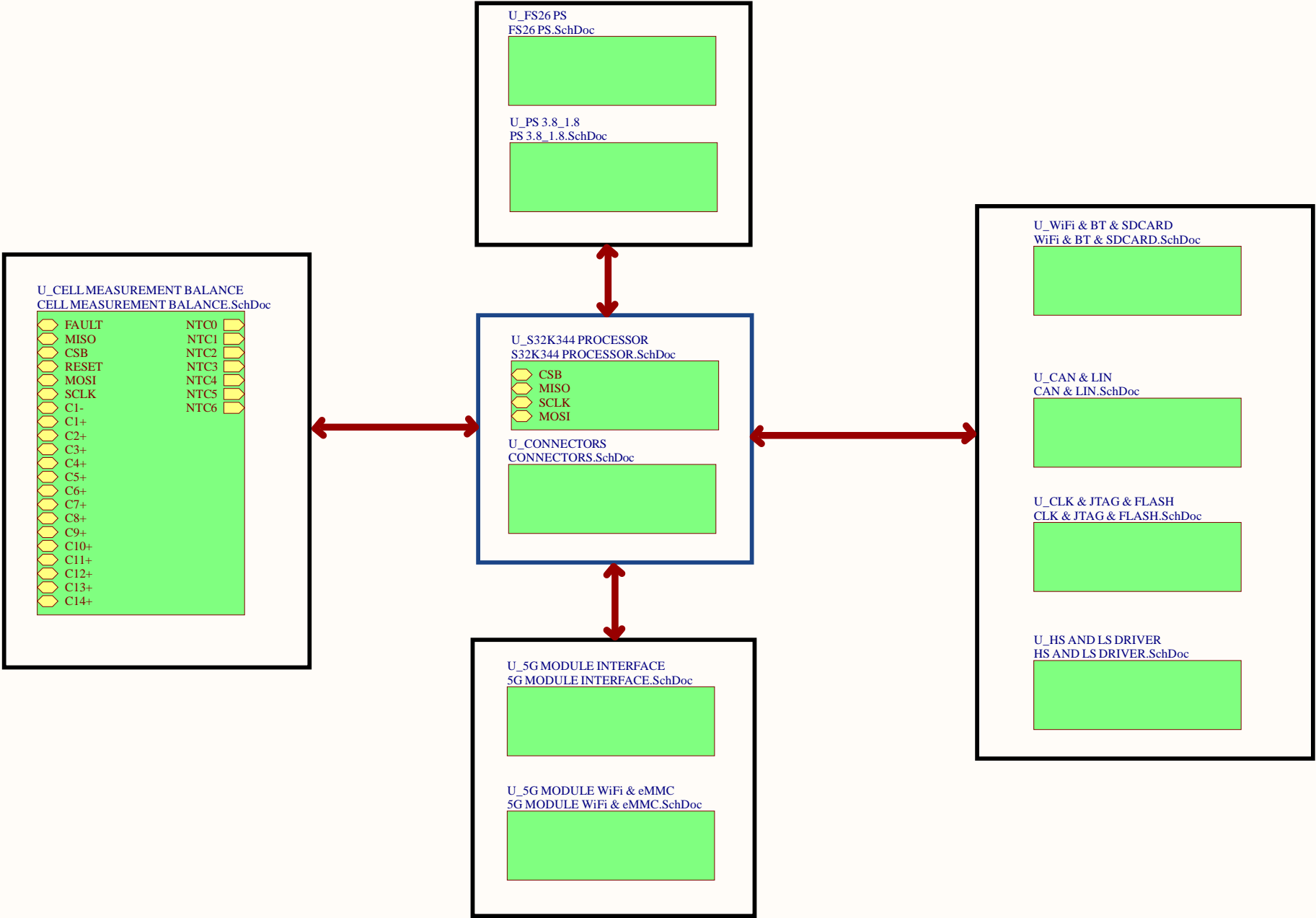
REV: 0.1

U_BLOCK DIAGRAM
BLOCK DIAGRAM.SchDoc

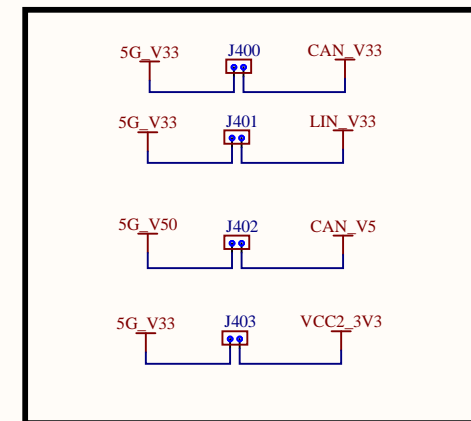
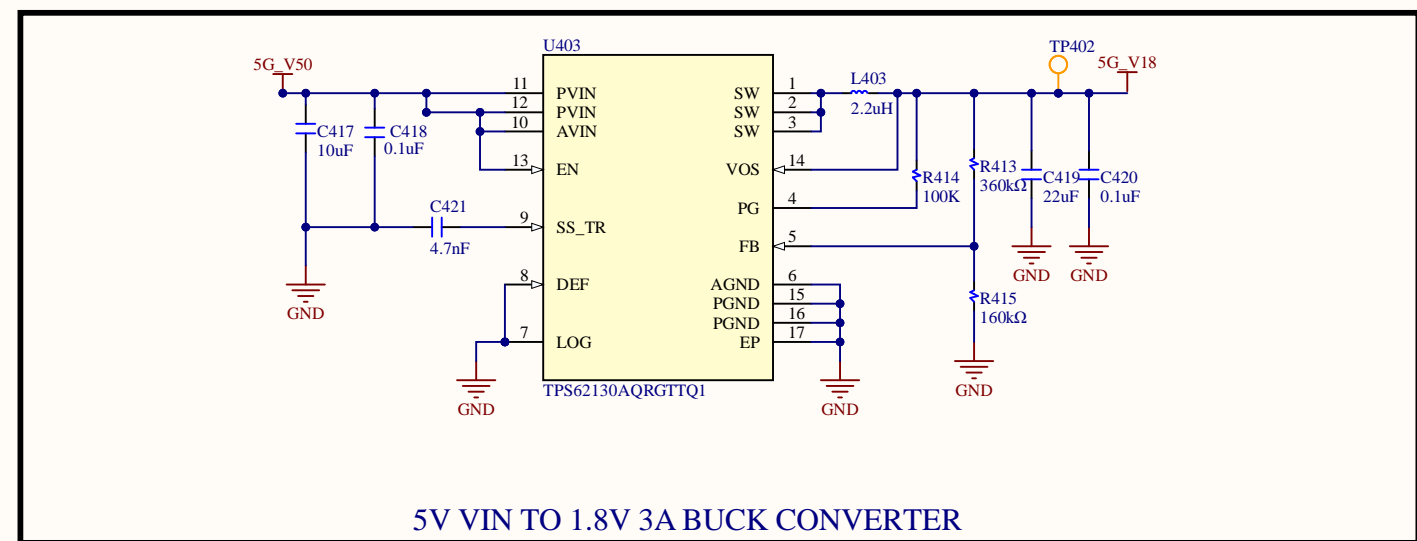
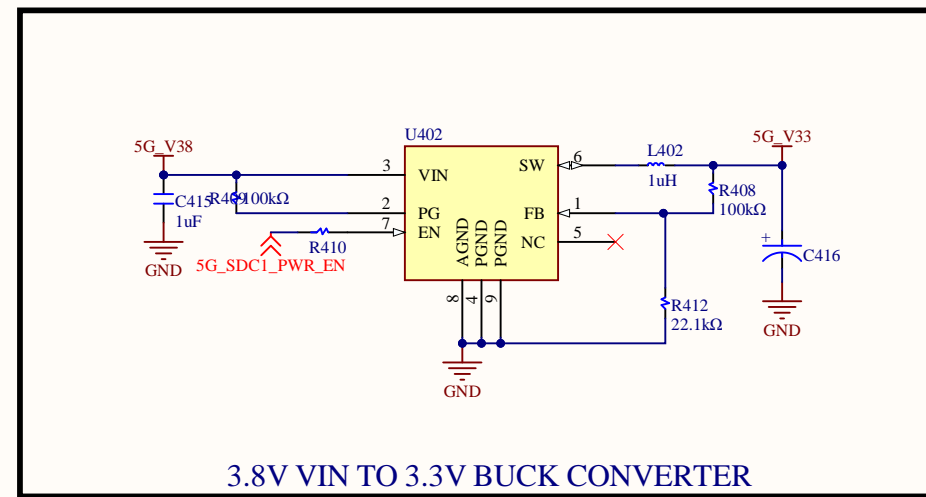
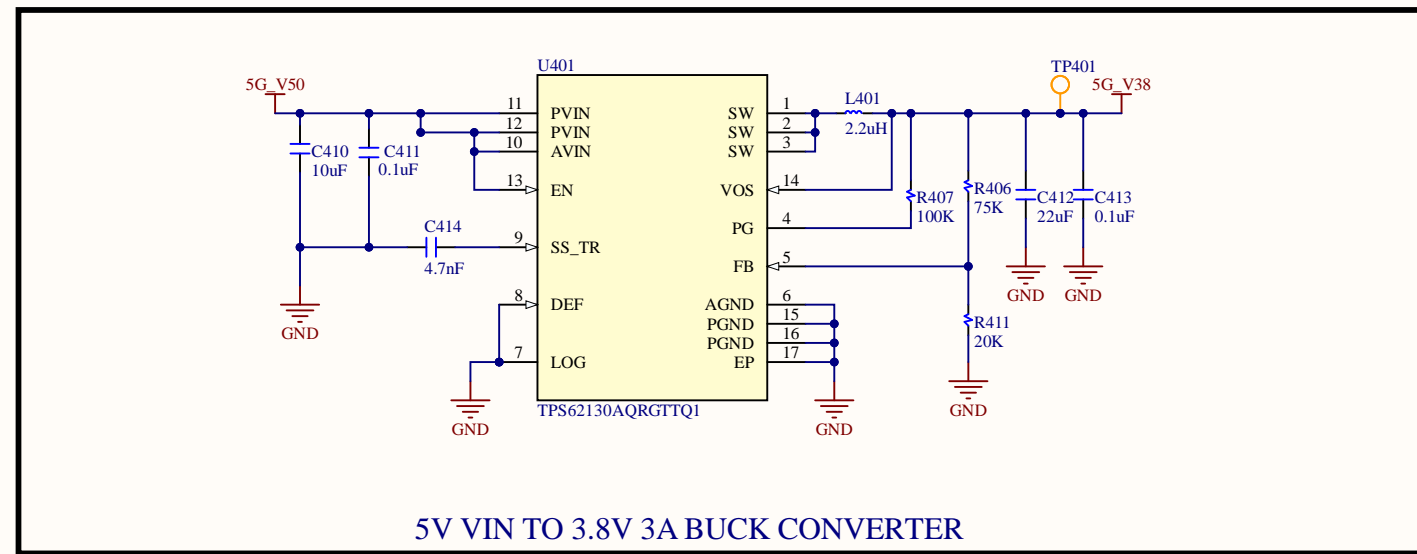
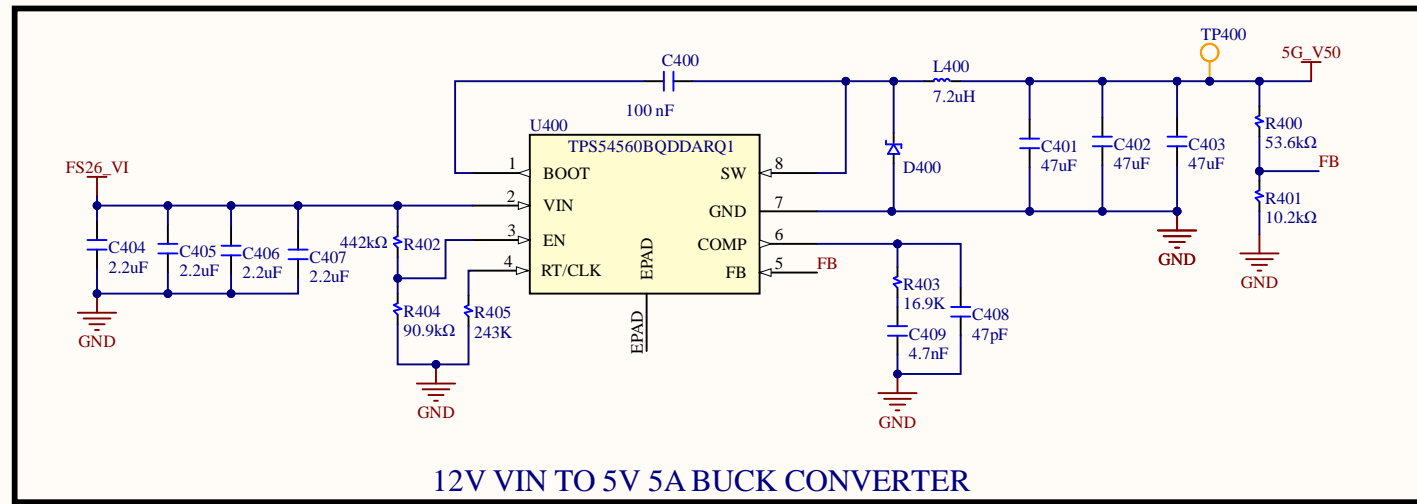


CONFIDENTIAL INFORMATION

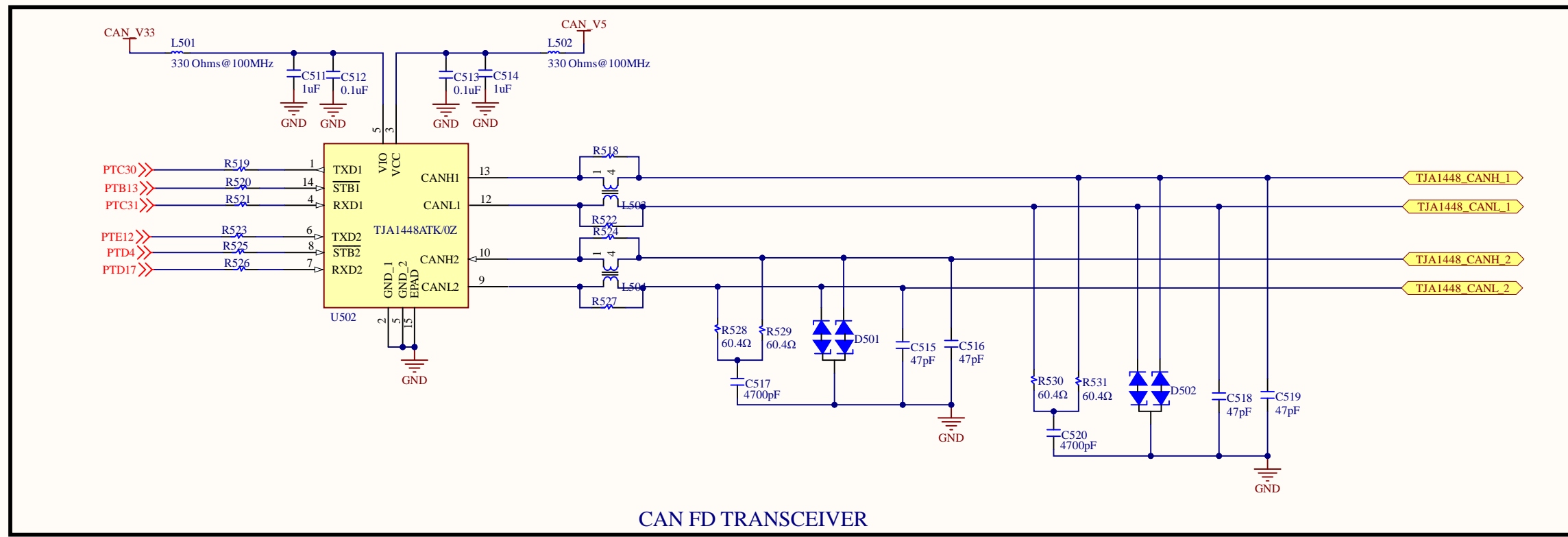
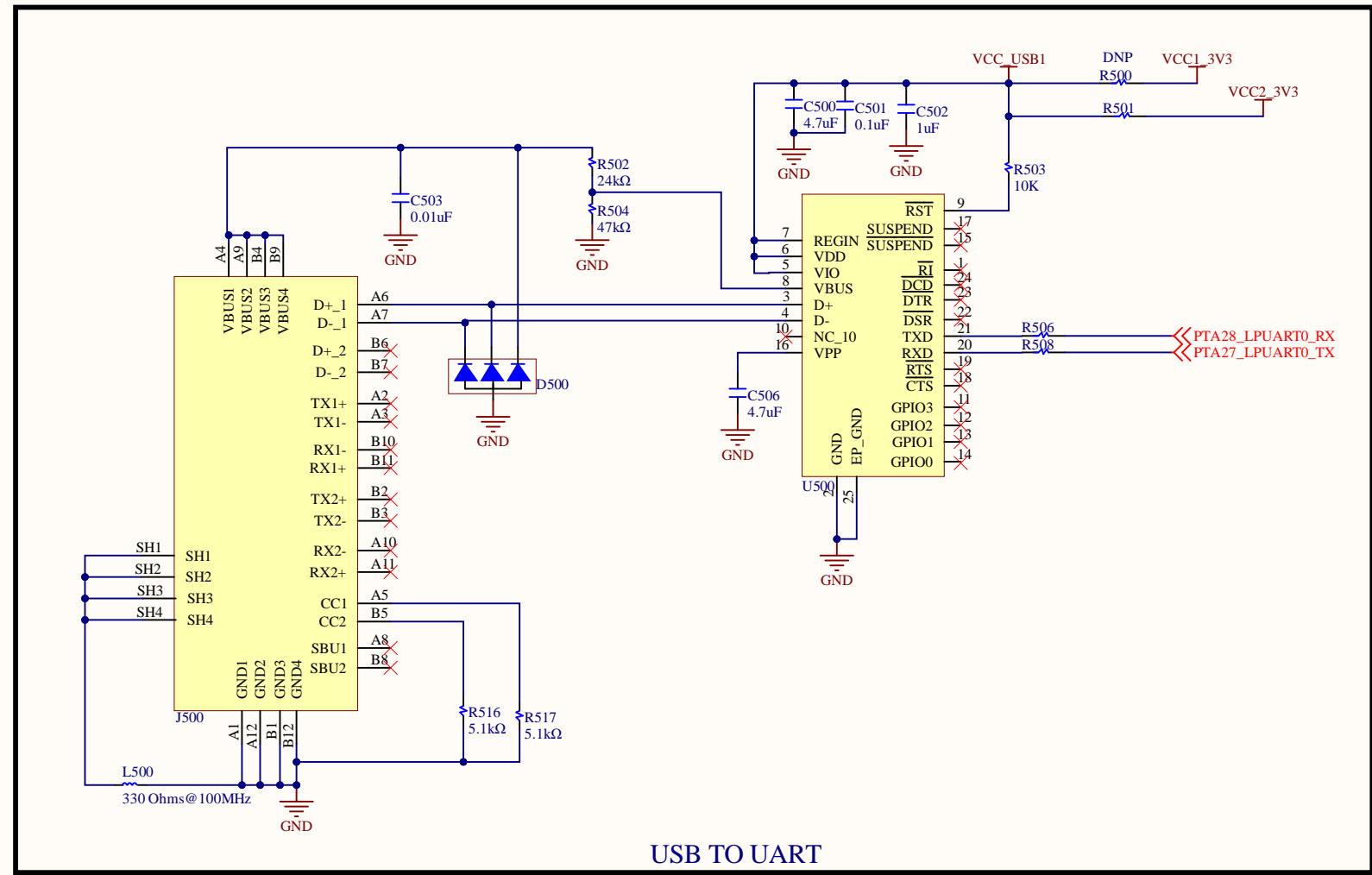
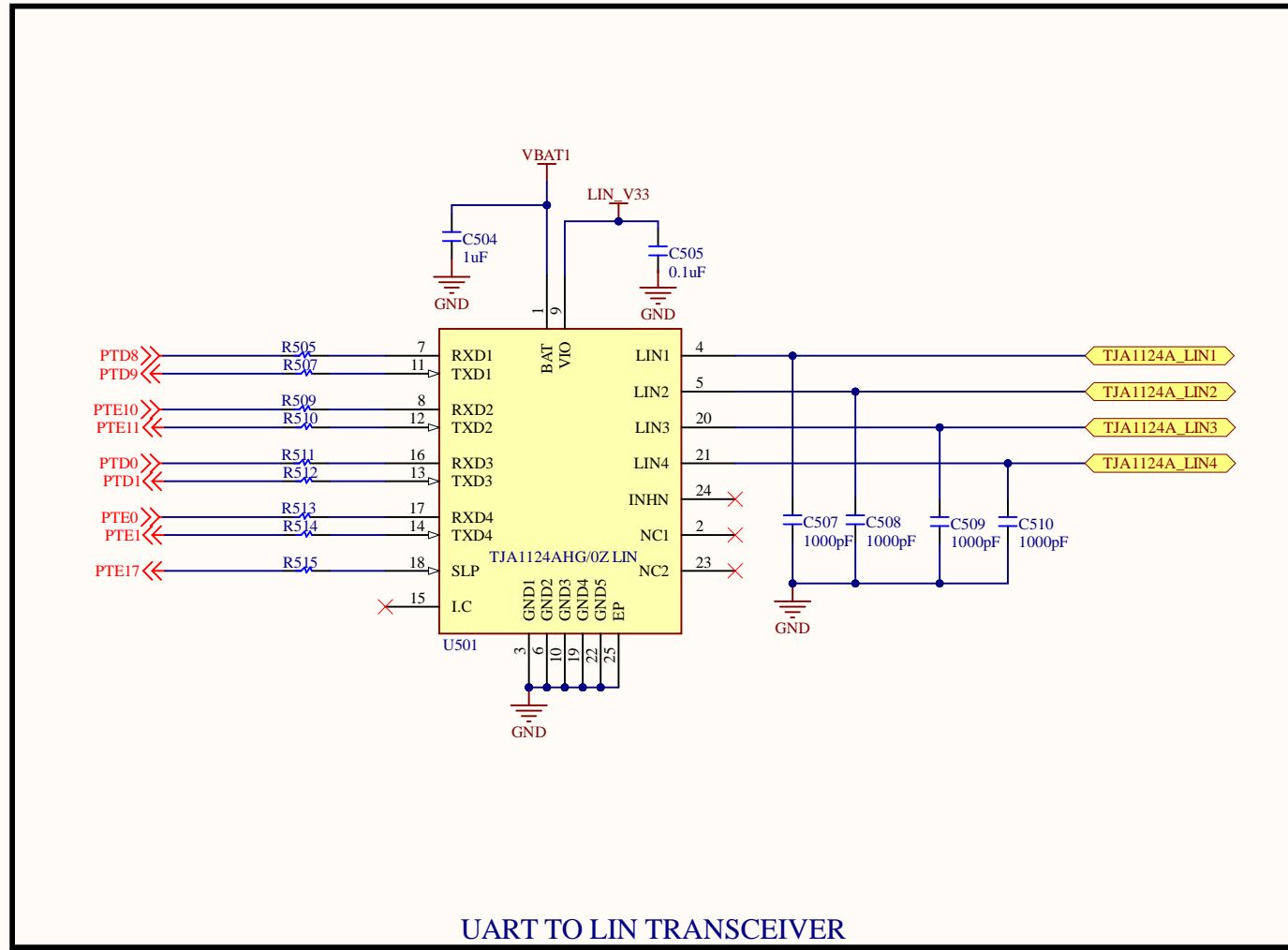
Title			BMS TELEMATICS PROJECT		
Size	Number		Revision		
Letter			0.1		
Date:	11/19/2024		Sheet of		
File:	TITLE PAGE.SchDoc		Drawn By:		



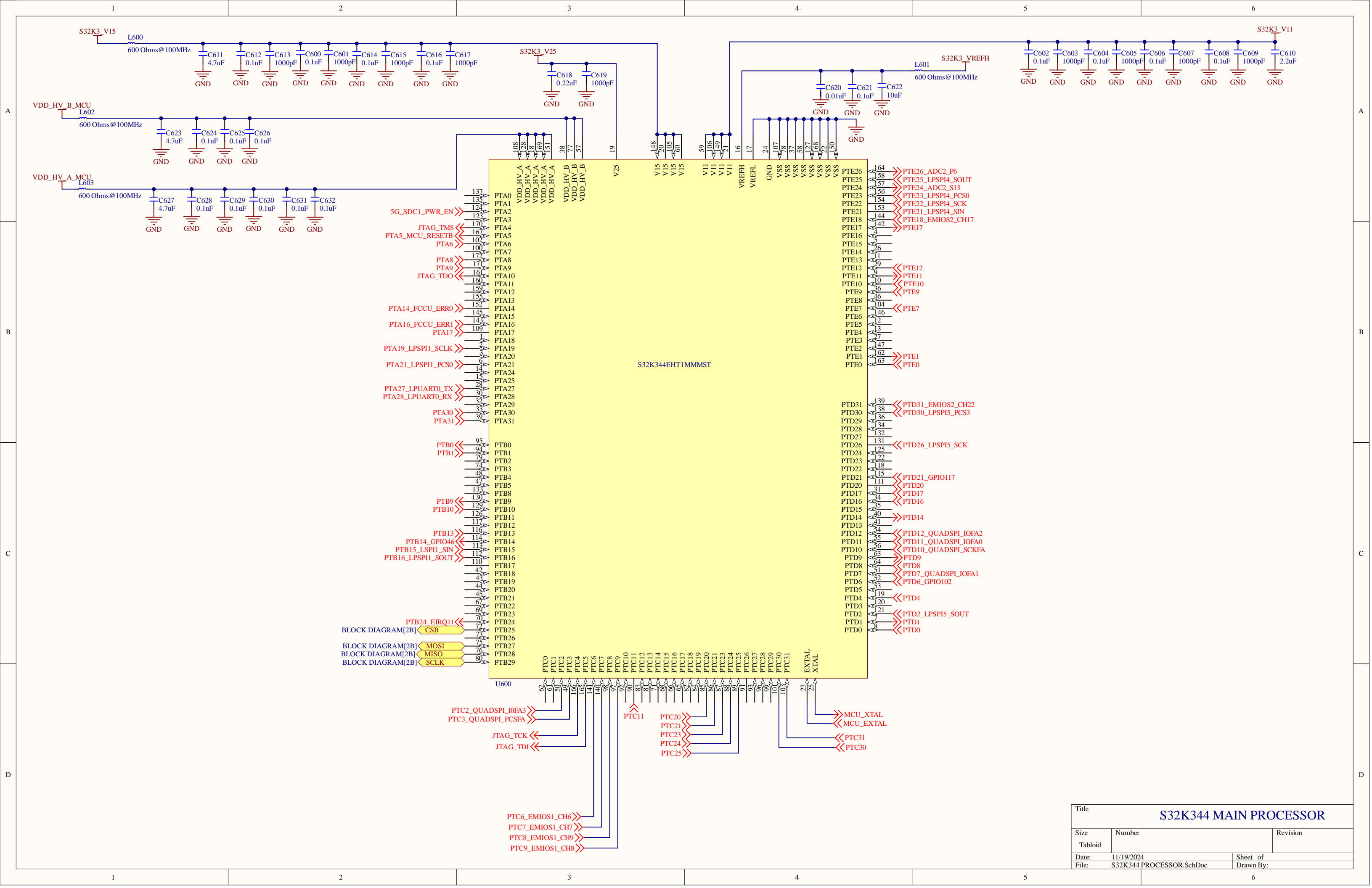
Title			48V BMS TELEMATICS BOARD		
Size	Number		Revision		
Letter					
Date:	11/19/2024		Sheet of		
File:	BLOCK DIAGRAM.SchDoc		Drawn By:		



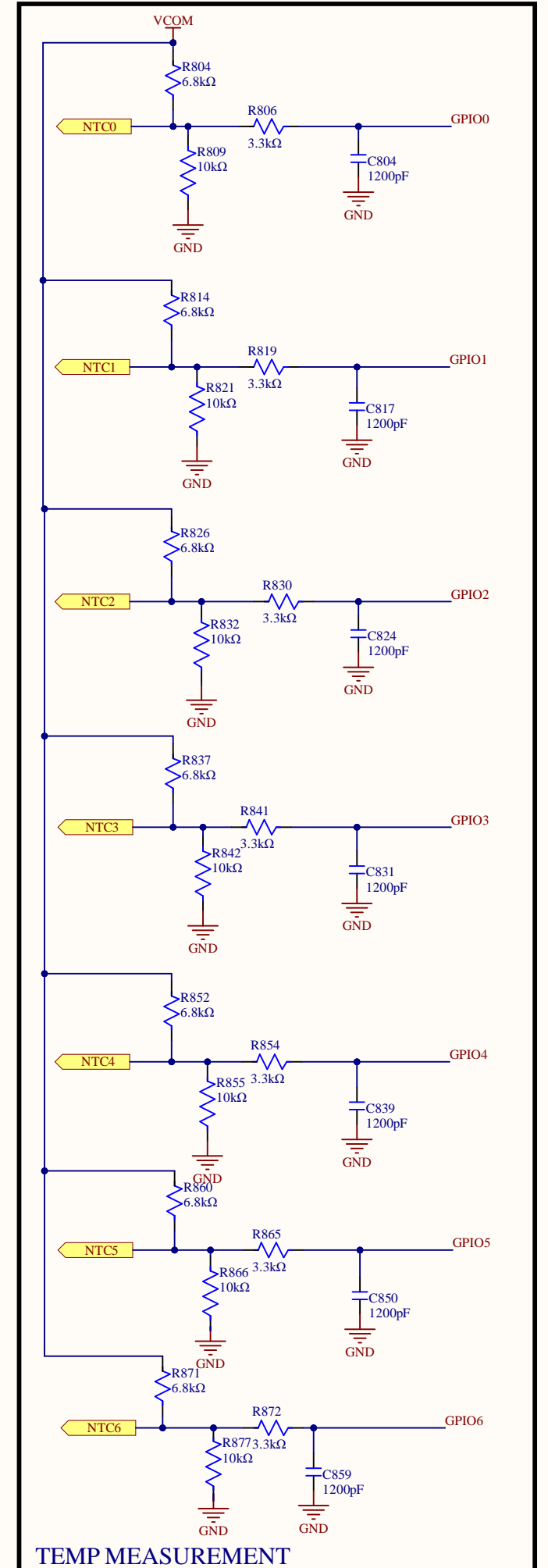
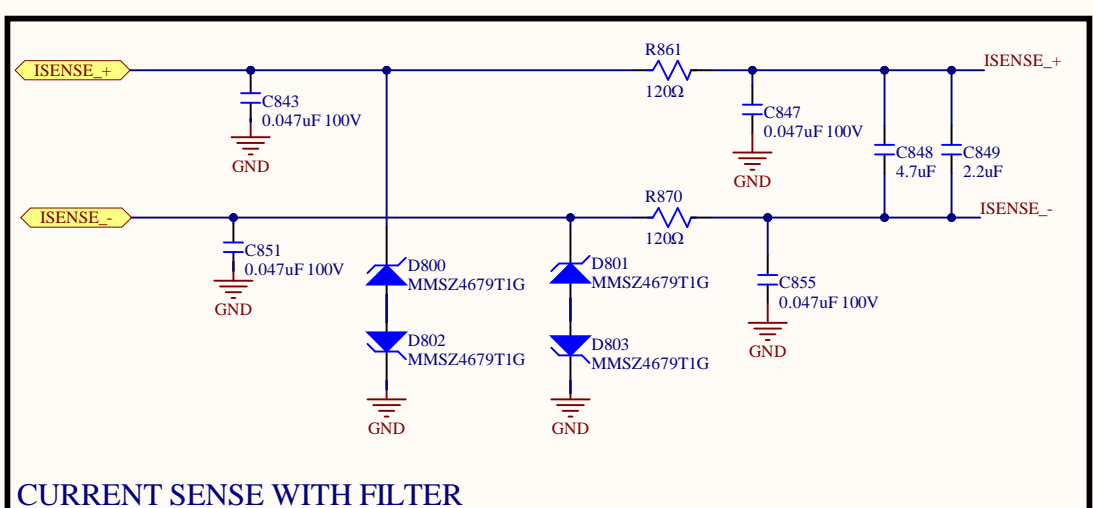
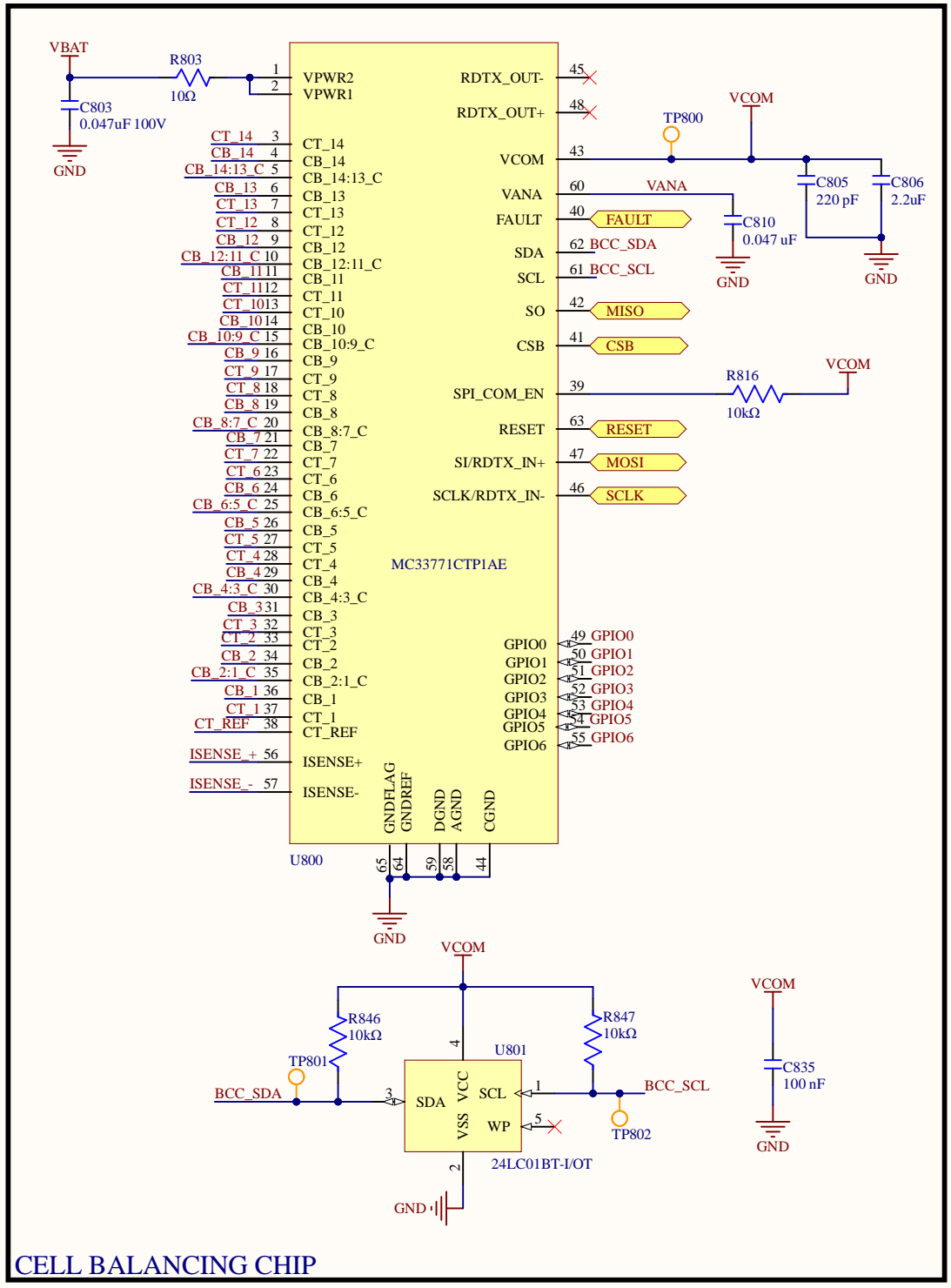
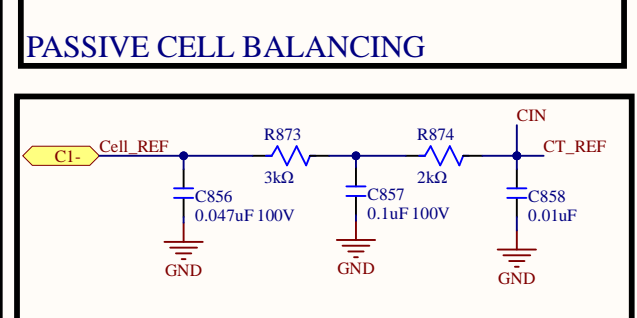
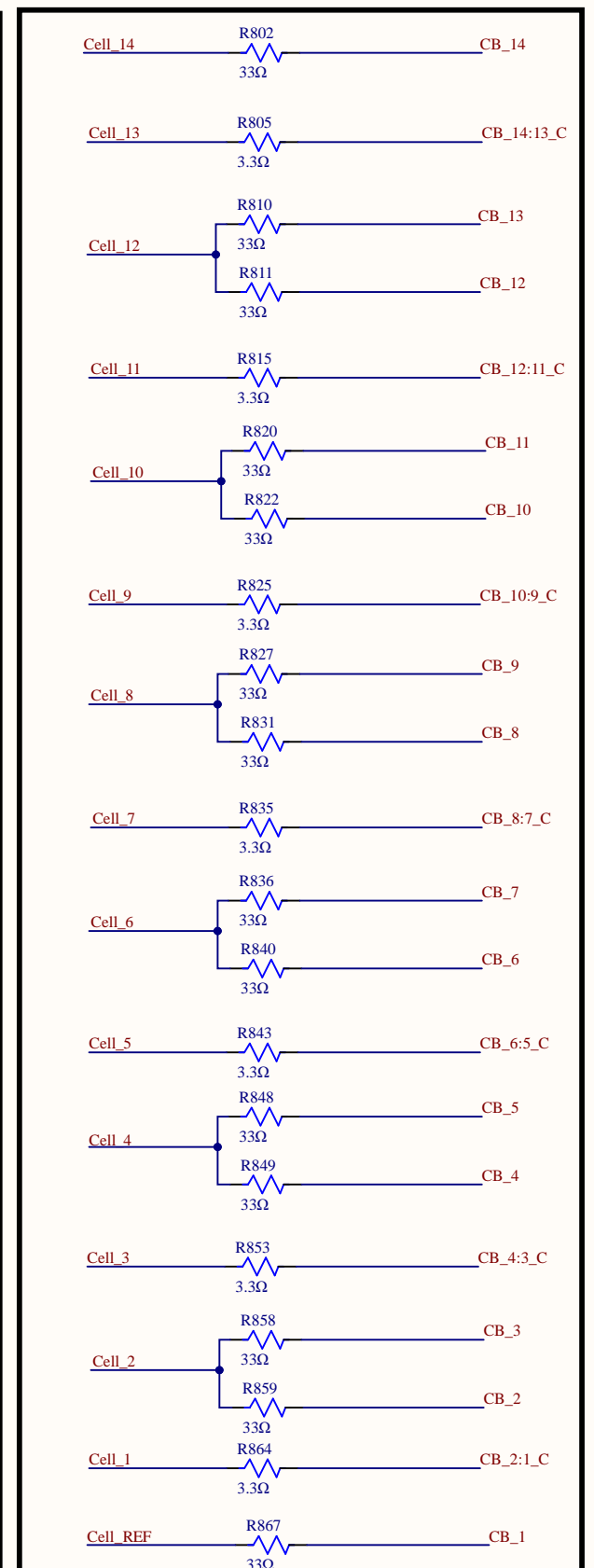
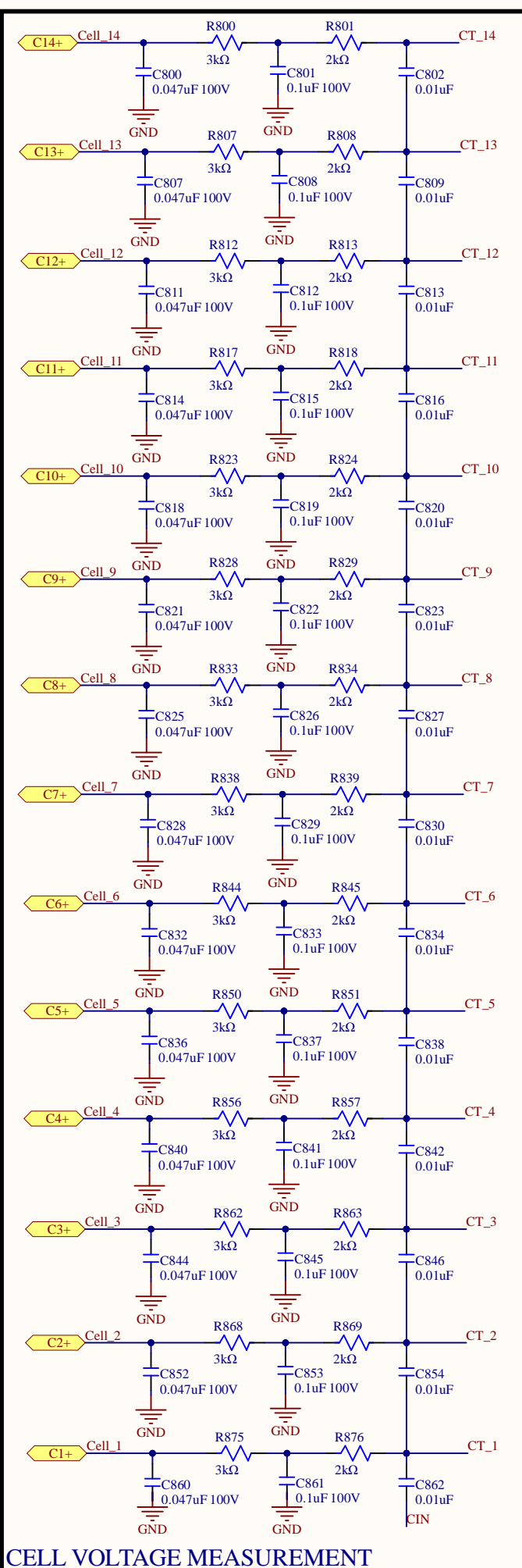
Title		
12V TO 5V, 3.8V, 3.3V, 1.8V		
Size	Number	Revision
Tabloid		
Date:	11/19/2024	Sheet of
File:	PS 3.8_1.8.SchDoc	Drawn By:

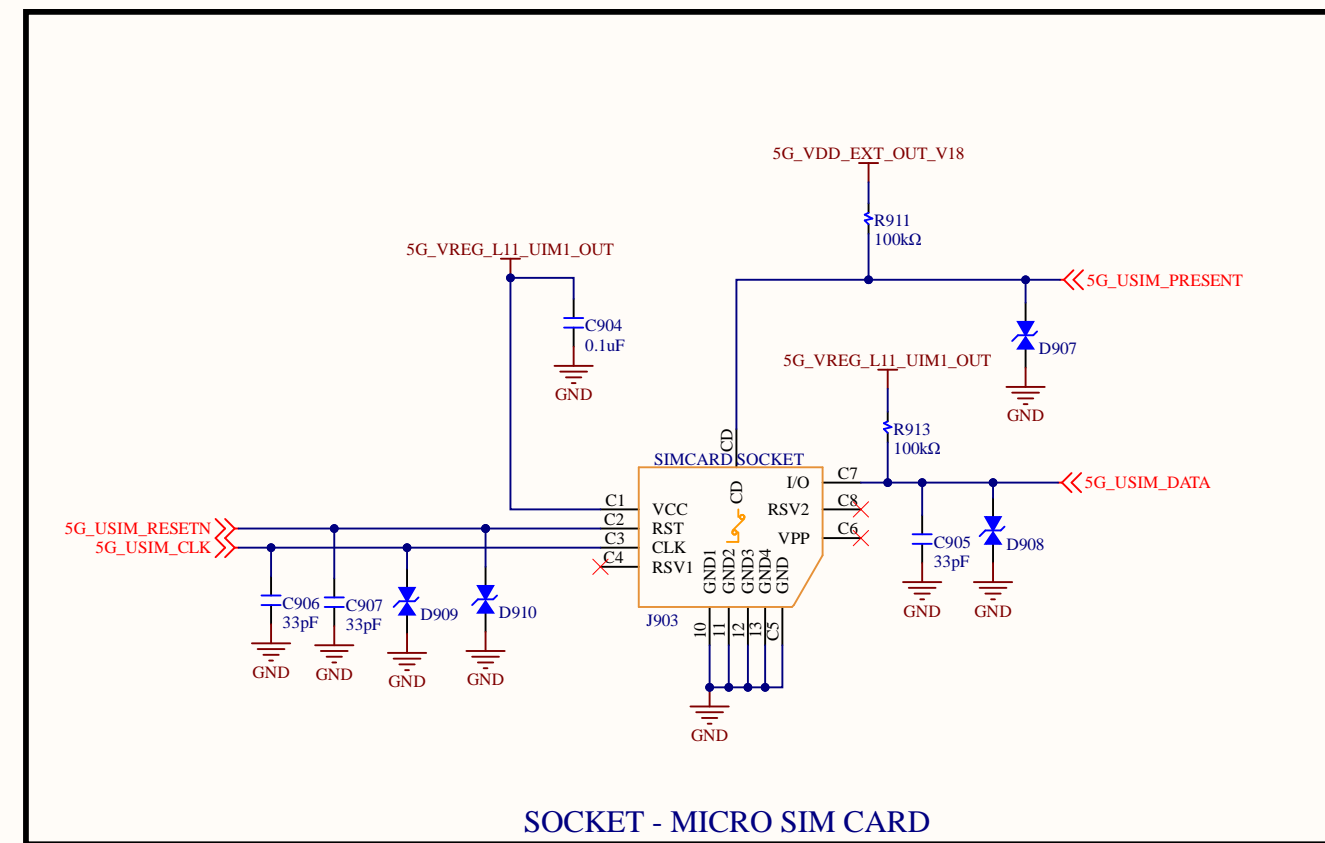
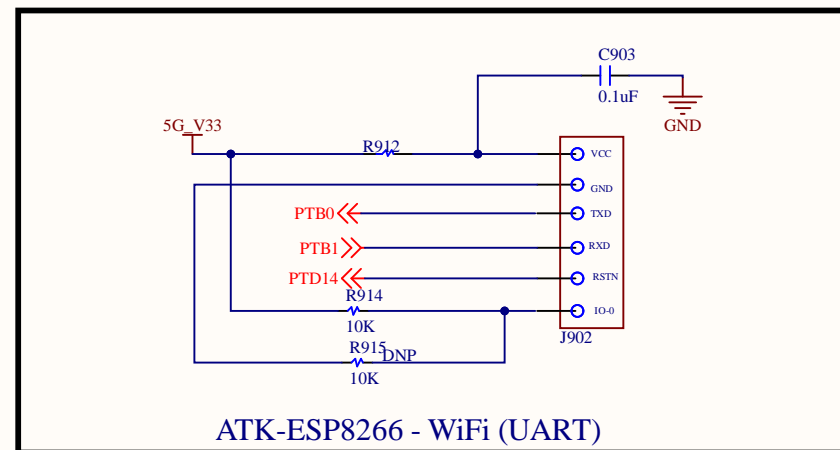
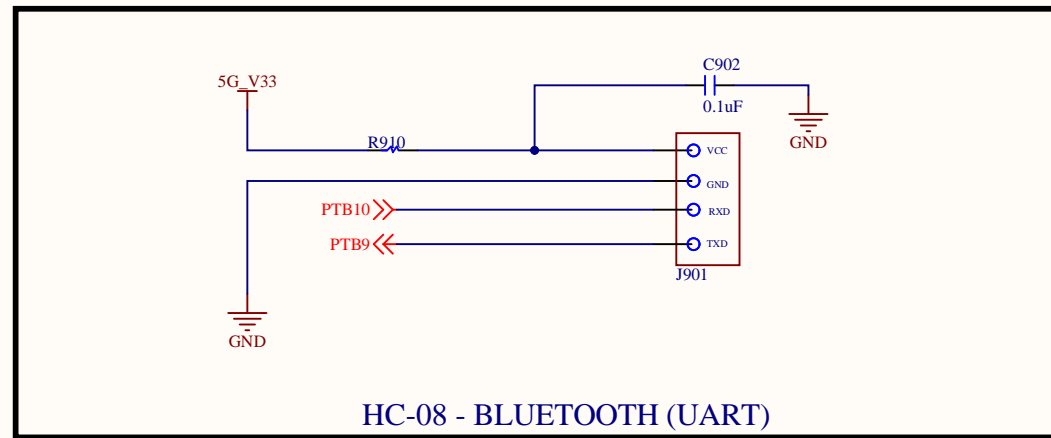
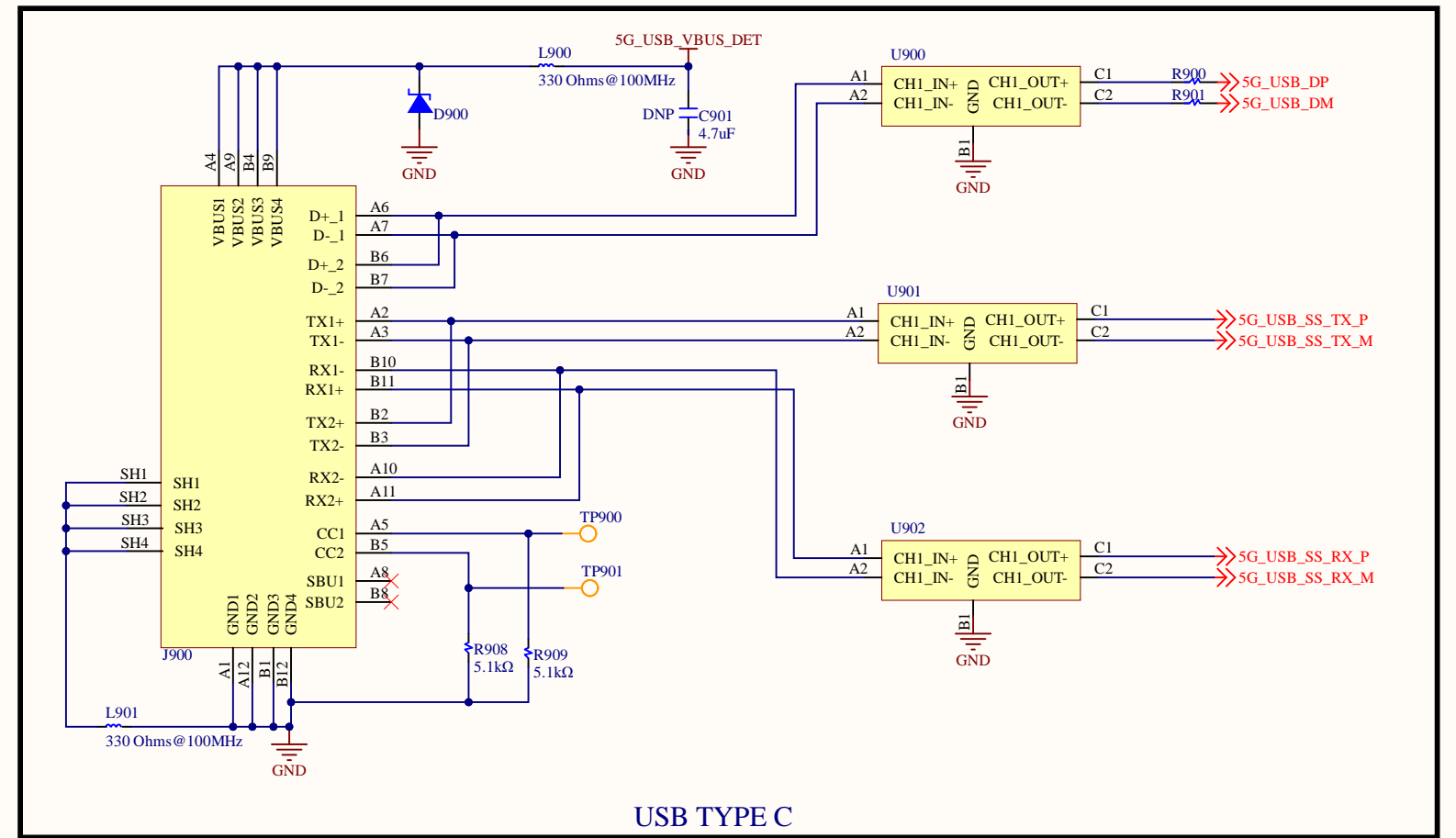
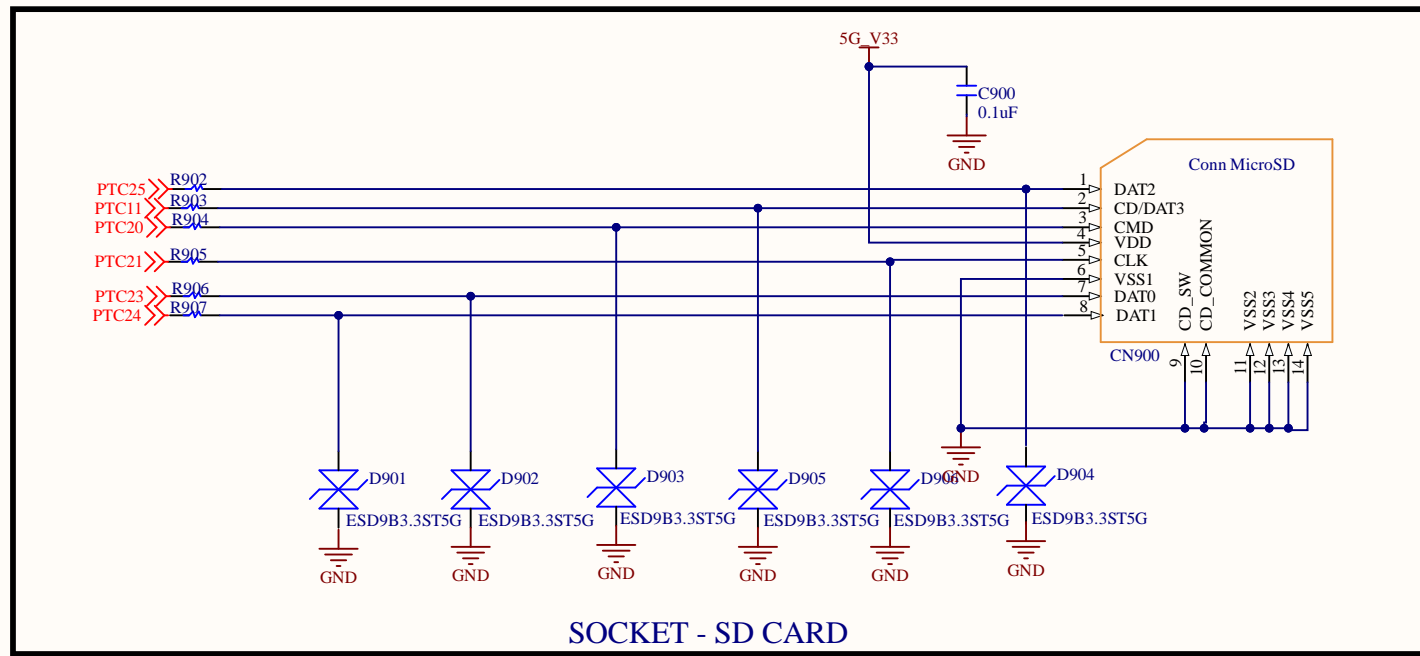


Title		
CAN LIN & USB		
Size	Number	Revision
Tabloid		
Date:	11/19/2024	Sheet of
File:	CAN & LIN.SchDoc	Drawn By:

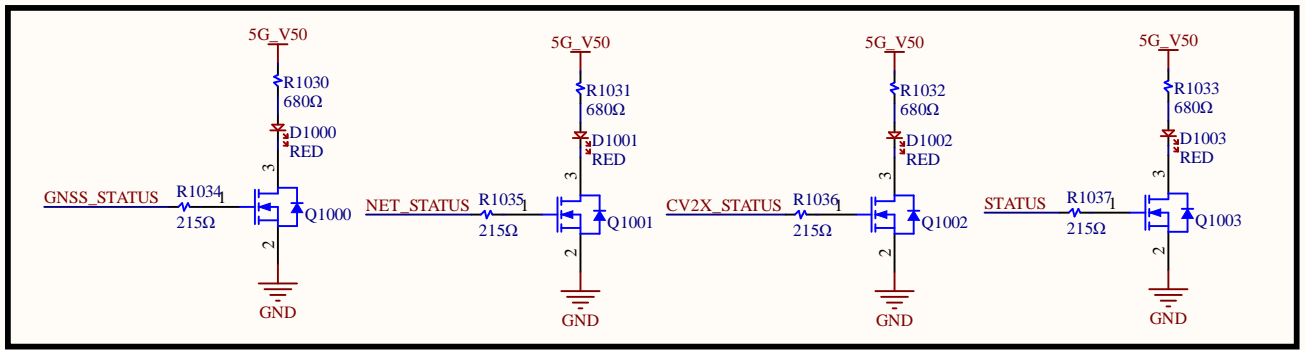
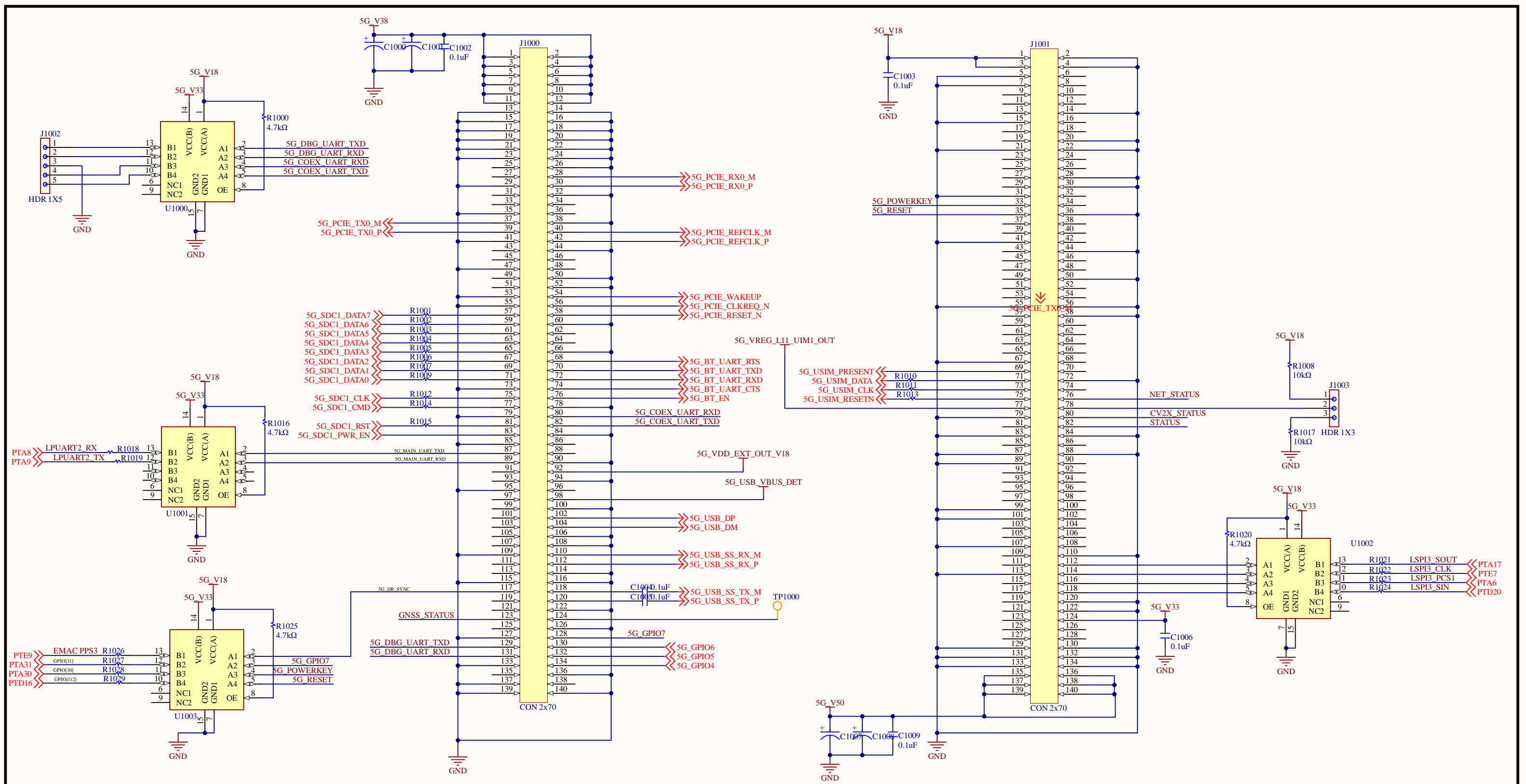


Title		
S32K344 MAIN PROCESSOR		
Size	Number	Revision
Tabloid		
Date:	11/19/2024	Sheet of
File:	S32K344 PROCESSOR.SchDoc	Drawn By:

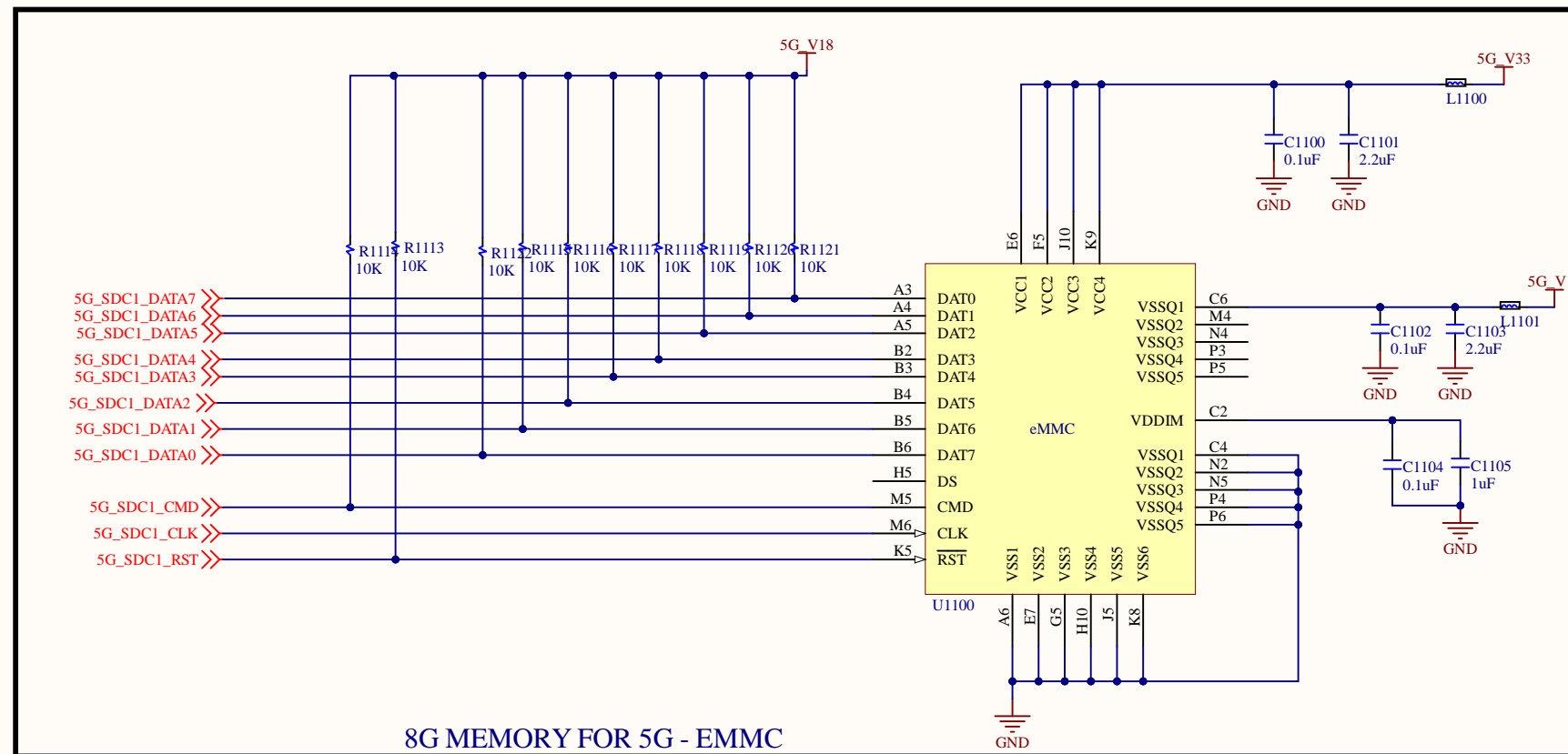
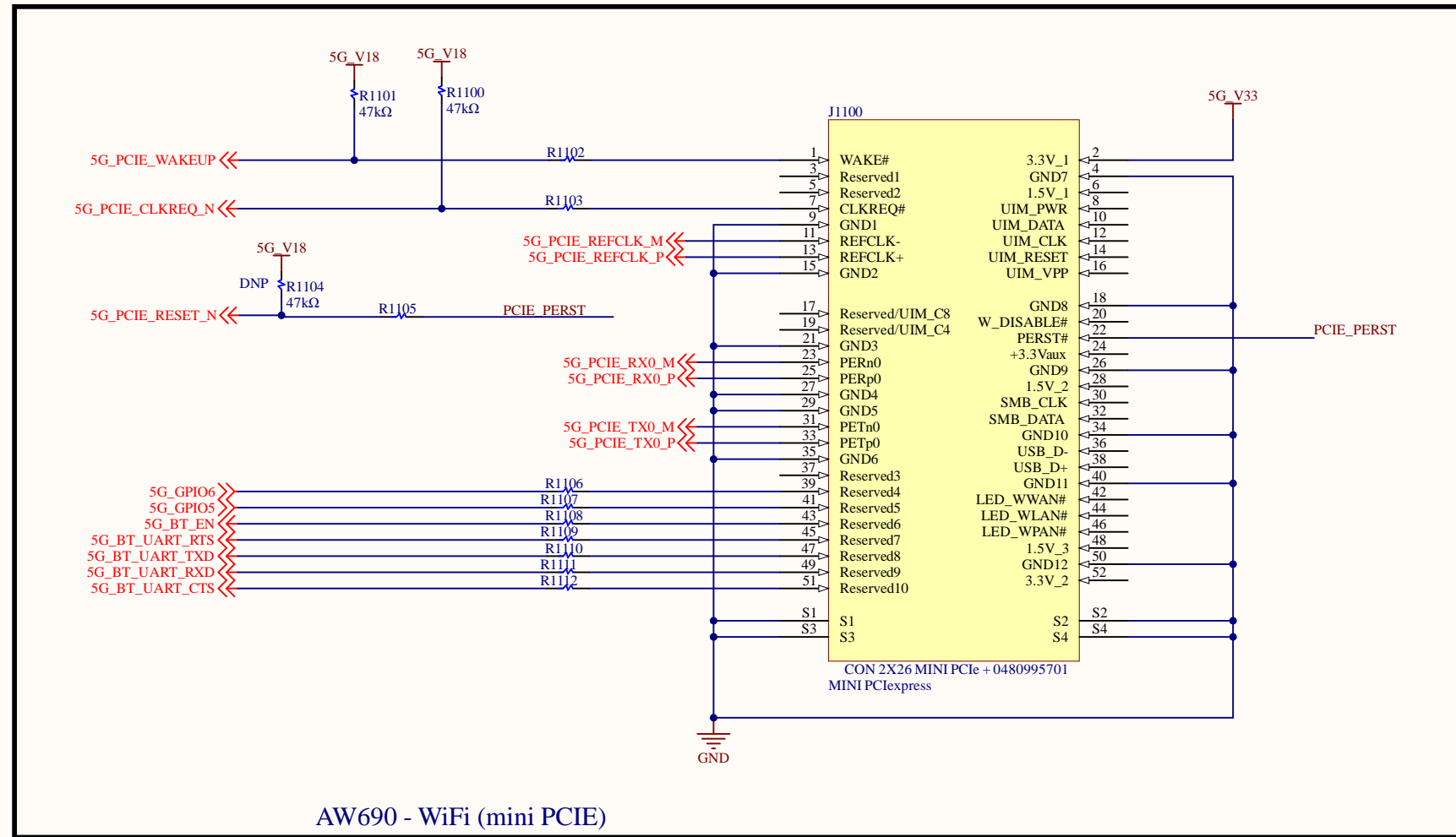




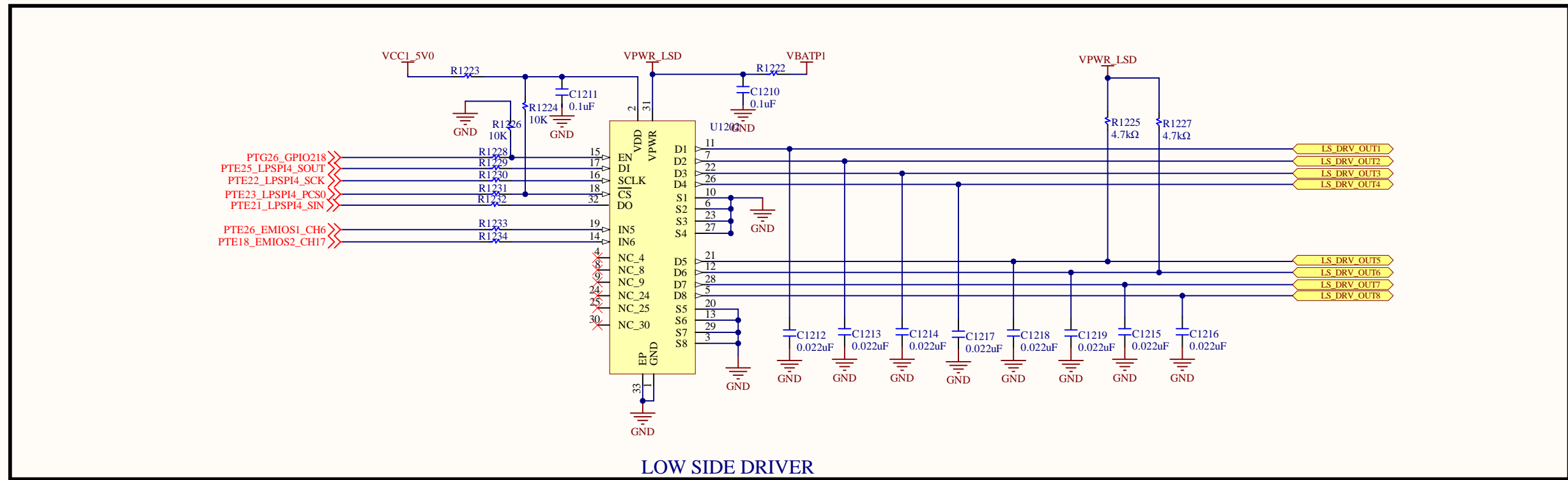
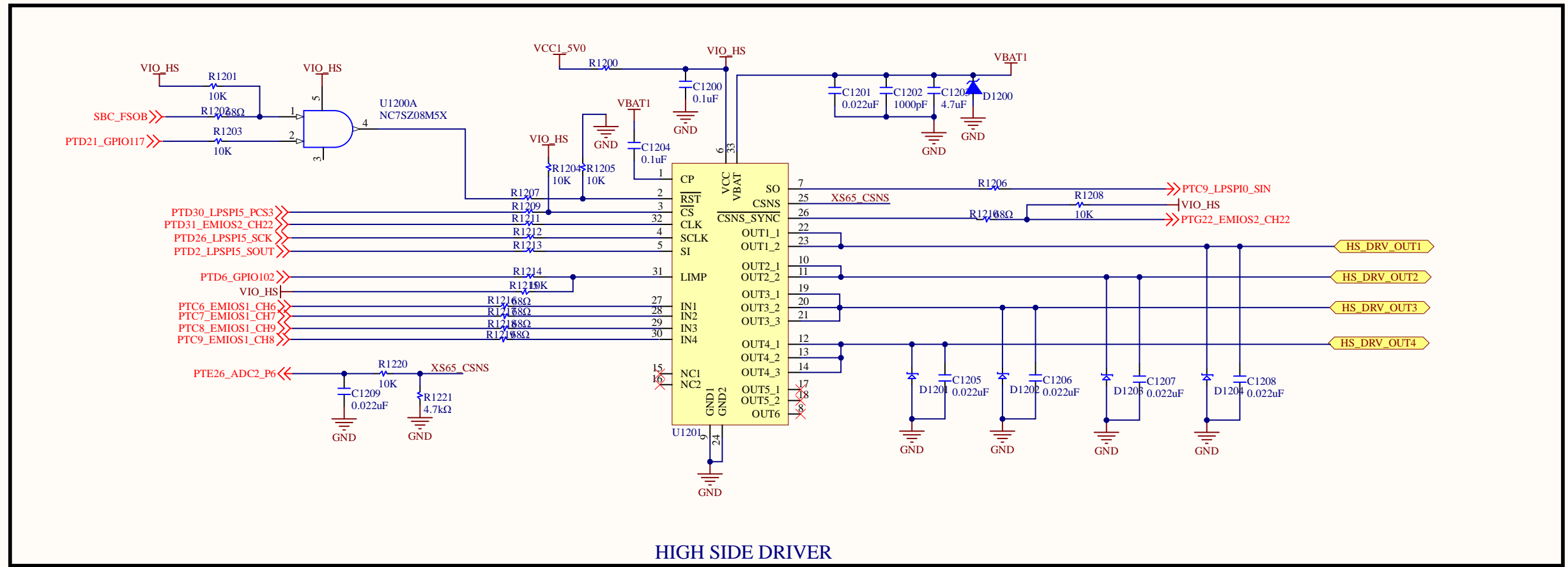
Title		
5G MODULE USB & USIM, SIM CARD, USB TYPE C		
Size	Number	Revision
Tabloid		
Date:	11/19/2024	Sheet of
File:	WiFi & BT & SDCARD.SchDoc	Drawn By:



Title			A55xQ5G MODULE		
Size	Number	Revision			
Tabloid					
Date:	11/19/2024	Sheet of			
File:	5G MODULE INTERFACE.SchDoc	Drawn By:			

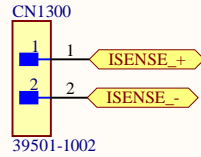


Title			WiFi AND EMMC FOR 5G		
Size	Number				Revision
Tabloid					
Date:	11/19/2024	Sheet of			
File:	5G MODULE WiFi & eMMC.SchDoc	Drawn By:			

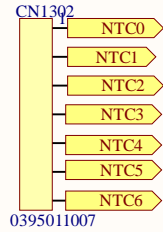


Title			HS AND LS DRIVER		
Size	Number				Revision
Tabloid					
Date:	11/19/2024	Sheet of			
File:	HS AND LS DRIVER.SchDoc	Drawn By:			

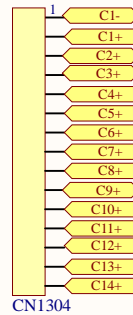
2 POSITION TERMINAL BLOCK FOR ISENSE



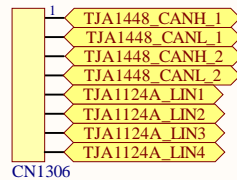
7 POSITION TERMINAL BLOCK FOR TEMP



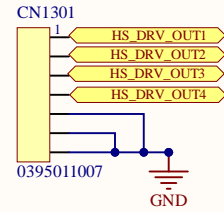
15 POSITION TERMINAL BLOCK FOR CELL



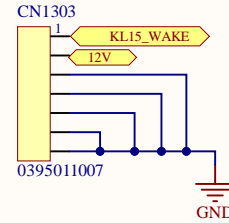
8 POSITION CONNECTOR FOR TJA CAN/LIN
TBD: DB9 CONNECTOR



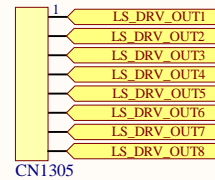
4 POSITION TERMINAL BLOCK FOR HS



6 POSITION TERMINAL BLOCK FOR PWR AND WAKE UP



8 POSITION TERMINAL BLOCK FOR LS



Title		
CONNECTORS		
Size	Number	Revision
A		
Date:	11/19/2024	Sheet of
File:	CONNECTORS.SchDoc	Drawn By: